

Stereotactic QA Solutions

Meet the stringent demands of stereotactic treatments, with our suite of SRS/SBRT solutions.

Learn more: sunnuclear.com/srsqa

Featured Patient QA

Proven, Film-less SRS and SBRT QA

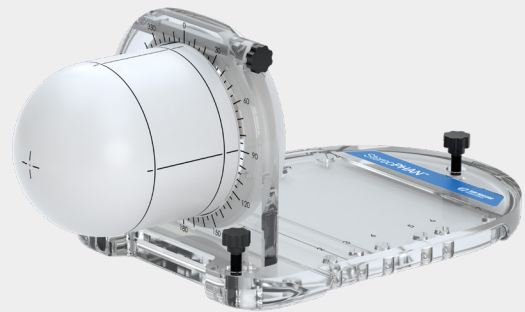
SRS MapCHECK® removes film – and subjectivity – from SRS/SBRT QA, and offers streamlined, digital testing for improved Patient Safety. More than 650 clinical users worldwide have adopted SRS MapCHECK for fast and accurate film-less QA.



Featured Machine QA

Commissioning & End-to-End Stereotactic QA

StereoPHAN™ streamlines end-to-end stereotactic testing and QA. It's easy and efficient to use – no tools required for setup across tests – and it works with a variety of detectors (ion chambers, film, and SRS MapCHECK).



Featured Dosimetry

Dosimetry Data Collection for SRS/SBRT Commissioning

SunSCAN™ 3D makes commissioning and annuals easier and more efficient than ever before – with SRS-class scanning accuracy and compatibility with nearly every machine and user.





SRS MapCHECK®

SRS & SBRT QA, No Film

- Film equivalent SRS/SBRT Patient QA
- Streamline your workflow from ~300 minutes to ~10 minutes
- Comprehensive CyberKnife® System Patient and Machine QA

Irradiate From Any Angle

- Accounts and corrects for angular dependence, field size, and pulse rate
- Ensures accurate dose measurement from any angle, including vertex fields

Unmatched Detector Resolution

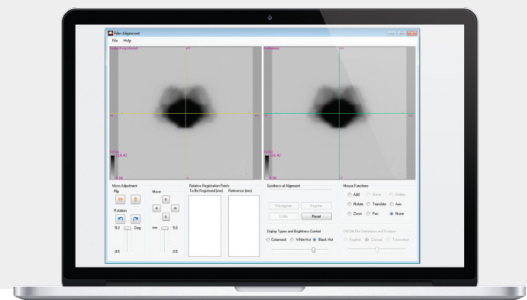
- Detector spacing and resolution specifically designed for SRS/SBRT
- Measures field sizes down to 5 mm (5 diodes in 5 mm cone)

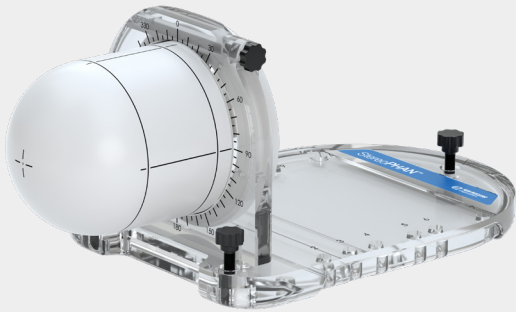


SunCHECK® Patient

SunCHECK® Patient offers Plan Checks, Secondary Calculations, Pre-Treatment QA and In-Vivo Monitoring all in a single workflow, on the same platform as Machine QA.

SRS Film QA





StereoPHAN™

Comprehensive End-to-End Stereotactic QA

- Test all aspects of stereotactic planning and delivery
- MRI/CT image fusion, CT to linac patient alignment, and treatment planning QA
- Rotate phantom up to 360° and combine with inserts for sagittal, coronal and transverse plane measurements within 0.1 mm accuracy

Versatile End-to-End Stereotactic QA

- Use with SRS MapCHECK® array for film-less, patient-specific QA for challenging small field and MLC-based SRS cases
- Use with MultiMet-WL Cube for multi-met single isocenter off-axis verification



MultiMet-WL Cube

Identifies off-axis and rotational sources of error – Gantry, Couch or Collimator – in 6 degrees of freedom



STEEV Phantom

Stereotactic End-to-End Verification (STEEV) Anthropomorphic Phantom

Check all steps of a treatment planning system – from diagnostic imaging with CT, MR and PET, to treatment plan verification – for SRS/SBRT procedures.

StereoPHAN Inserts



Film



Ion chamber



CT/MRI



MRI Signal Generator

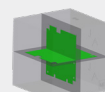


Universal Spacer

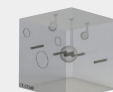


Multi-Film

CyberKnife® Inserts



Film



CT



Ion Chamber

SRS Headframes



Applications

- Brainlab®
- Fraxion®
- Gamma Knife®
- CyberKnife®



MR Distortion Phantom

MR Distortion & Image Fusion Head Phantom

Assess MR distortion and image fusion during SRS with a tissue equivalent, anthropomorphic phantom.

SunSCAN™ 3D

User-Centered Design

- Faster, easier commissioning and beam scanning, with 0.1 mm accuracy throughout the tank
- Unique cylindrical shape removes need for tank shifts
- Single Setup - 65 cm scan range allows 40 x 40 cm field scans, even at 100 cm SSD and 40 cm depth
- Consistent Detector Orientation
 - Smallest part of the detector always measures the beam edge, minimizing stem and cable effects and water movement

7-Minute AutoSetup™

- Automatic setup in a third of the time of other tanks
- Tank is leveled and aligned, with detector positioned at water surface, in minutes
- True, physical leveling enables the most accurate scans and is achieved through a proven guided workflow



SunSCAN TPR

Less than 5-minute installation with no additional tools – supports Varian Medical Systems®, Elekta, Siemens and CyberKnife® delivery systems



Edge Detector™

For small field beam modeling and QA, characterize penumbra more precisely and with less averaging than ion chambers.



Reference Detector

U.S. Patent No. 9,050,460 B2

This patented, out-of-field detector uses linac head leakage to obtain a reference signal during water tank scanning of photon energies.

Varian Medical Systems® is a registered trademark, and Varian™, Halcyon™ are trademarks, of Varian Medical Systems, Inc. Sun Nuclear Corporation is not affiliated with or sponsored by Varian Medical Systems, Inc.

Learn more: sunnuclear.com/solutions/srsqa