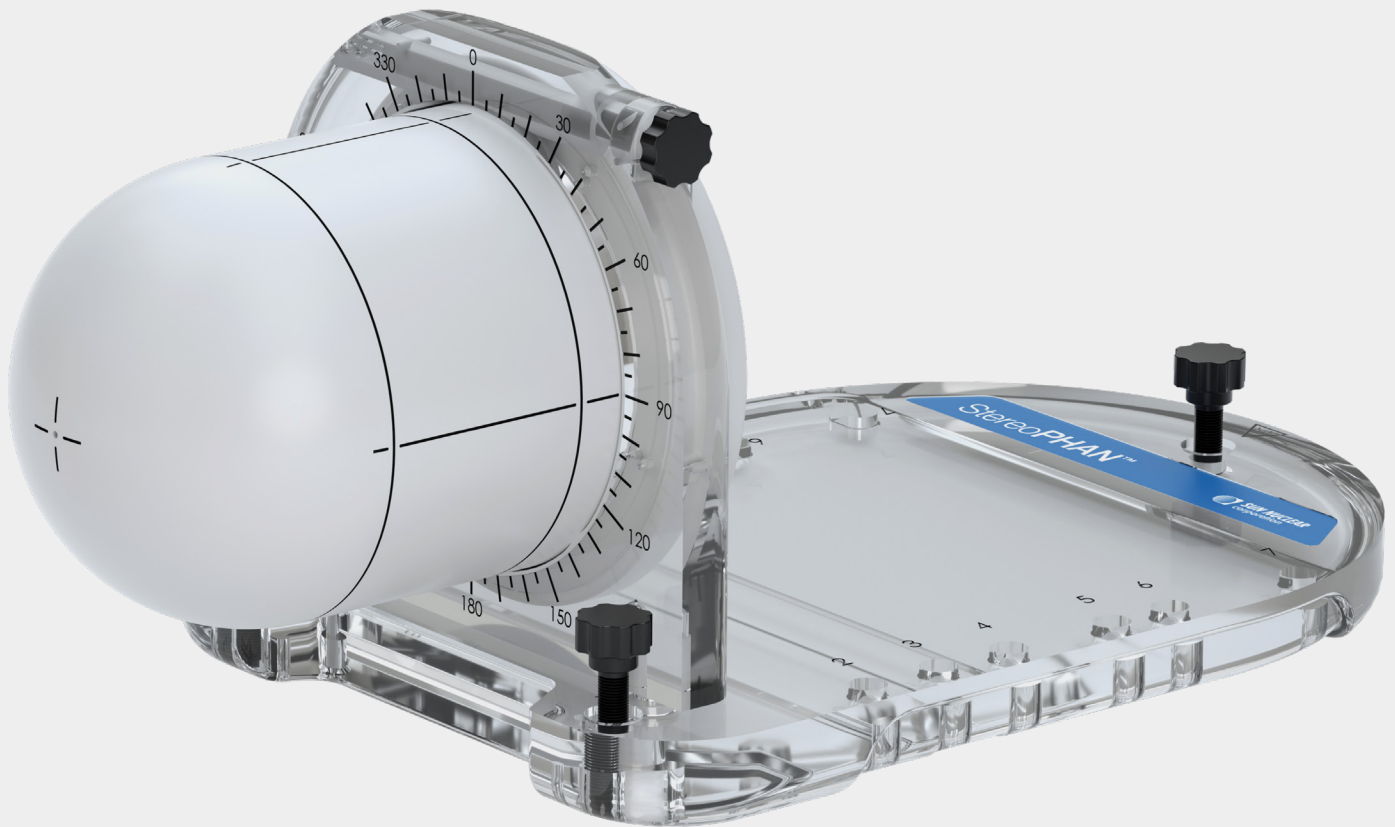


StereoPHAN™

End-to-End Stereotactic Commissioning & QA



End-to-End Quality

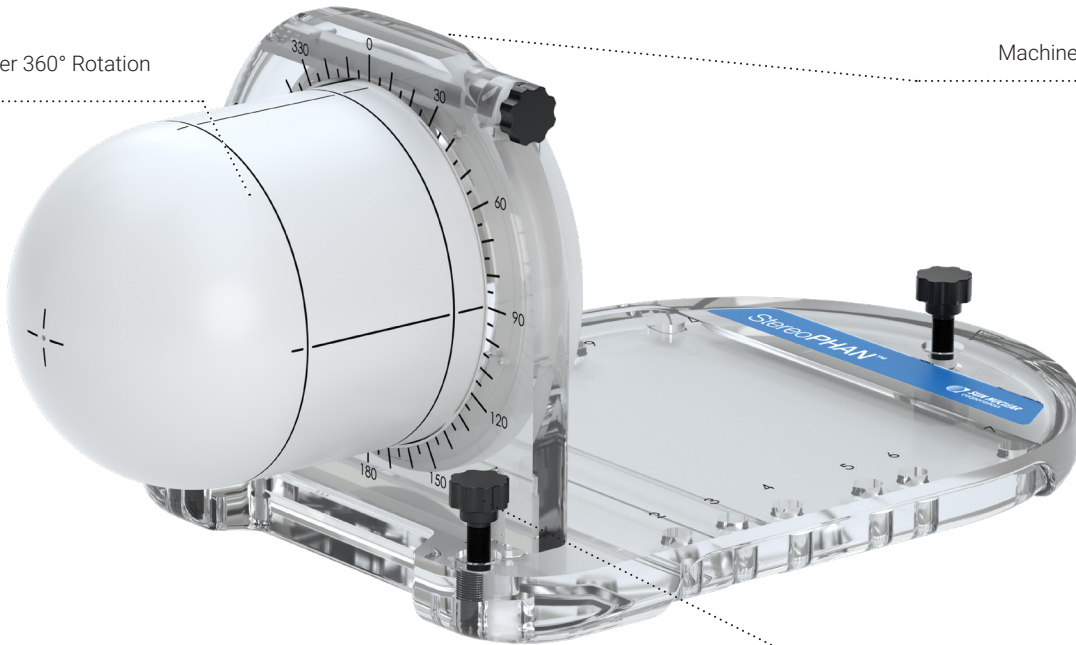
StereoPHAN™ is designed for end-to-end commissioning and quality assurance testing on all parts of the SRS process. StereoPHAN inserts and configurations are quickly exchanged with no tools or change in setup.

Features & Benefits

- Stereotactic (SRS/SRT/SBRT) end-to-end testing and patient-specific QA
- Adapters for Head-Frames and CyberKnife
- Image fusion
 - Quality assurance of image fusion algorithms for CT and MRI imaging modalities
- Dosimetry
 - Absolute, relative and point dose dosimetry QA measurements at isocenter with ion chambers; relative dose distribution using film
 - Dosimetry detector cabling remains outside of beam for interference-free dose measurement regardless of measurement setup
- Geometric accuracy
 - Optical and geometric isocenter
 - Laser alignment
 - Indexed table positioning alignment and positioning coordinates
 - CBCT and MV/kV isocenter alignment
- Easy setup and assembly
 - No tools required for assembly
 - Can be mounted in 7 different positions using Lok-Bar™ System
- Inserts
 - Single cube insert tests CT and MRI imaging, including slice position, thickness and alignment
 - MultiMet-WL Cube verifies accuracy of Single-Isocenter Multiple-Target (SIMT) SRS treatments
 - Multi-Film insert supports relative dosimetry measurements and features three planes for placement of radiochromic film
 - Target volumes in CT/MRI cube eliminate need for CT/MRI markers
 - Flat surface of ion chamber insert enables easier cross-calibration to water than the curved surface of a spherical geometry
- All components fit into a durable rolling case suitable for storage and air travel

152 mm Cylinder 360° Rotation

Machined Flat for Leveling



Precision Leveling

SRS MapCHECK® SRS Patient QA, No Film

Designed to insert into the StereoPHAN, the SRS MapCHECK® supports patient-specific QA for linac-based and CyberKnife treatment machines

- Replaces film, providing absolute and relative dose measurement in a single measurement.
- Detector spacing and resolution specifically designed for stereotactic applications
 - Array size: 77 mm x 77 mm
 - Measures field sizes as small as 5 mm
 - 5 diodes in 5 mm cone
- Easy-to-use and efficient software



StereoPHAN Inserts



MultiMet-WL Cube

Identifies off-axis and rotational sources of error – Gantry, Couch or Collimator – in 6 degrees of freedom



CT/MRI

Verifies accuracy of an image fusion algorithm



MRI Signal Generator

Aids in MRI image acquisition (optional)



Ion Chamber

Measures dose with active volume positioned at geometric center of the phantom; drill to fit Ion Chambers as specified.



Universal Spacer

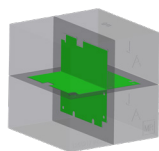
Precisely positions the measurement inserts in phantom cylinder



Multi-Film/Film

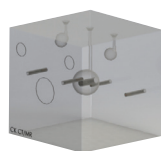
Measures dose profiles and relative dosimetry at a single or multiple planes

StereoPHAN Inserts for CyberKnife® Support



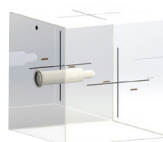
Perpendicular Film

Measure dose profiles and features 24k fiducial markers and orientation marks (same film as Accuray® Phantom)



CT

Verifies accuracy of CT/MRI image fusion algorithm using three varying size cavities filled with mineral oil



Chamber

Measures dose at the geometric center of the phantom.

SRS/SBRT Headframes



Brainlab®



Elekta Fraxion®

Gamma Knife® Extend™

StereoPHAN Specifications

Material:	Polymethyl methacrylate (PMMA)
Weight (cylinder, stand, slide):	6.6 kg (15 lbs)
Measurement cubes (mm):	85 x 85 x 85
Dimensions - L x W x H (mm):	522 x 276 x 229

SRS MapCHECK Specifications

Detector Type:	SunPoint® 2 Diode Detectors
Detector Quantity:	1,013
Detector Spacing (mm):	2.47
Detector Resolution:	0.48 mm diameter
Array Size (mm):	77 x 77