



# SIM+™ Pro

with RapidSIM™ Software

Remote-Adjustable Moveable  
Lasers for PET/CT Simulation



**SUN NUCLEAR**  
A MIRION MEDICAL COMPANY

# Optimized Simulation & Positioning Workflow

With a focus on target localization and patient setup reproducibility, CT simulation sets the stage for success in radiation therapy. SIM+™ Pro lasers deliver best-in-class accuracy for this critical process, provide automated workflows, remote adjustments and complete ease-of-use.

SIM+ Pro™ is not available for sale in all markets. CE Mark pending.

## Accuracy at the Patient with Total Coverage

The SIM+ Pro remote-adjustable moveable laser system is designed with the latest motion-control technology to support all RT simulation workflows. Best-in-class accuracy and laser line-length provide enhanced confidence with the most patient coverage of any medical laser. Remote adjustment provides extra assurance and ease of use.

### Simplified Positioning & Marking for PET/CT Simulation

- $\pm 0.5$  mm accuracy, at 3 m
- Line widths of  $\leq 0.5$  mm, at 4 m, for all colors
- Industry-leading line length of  $\geq 4$  m at 3 m
- Includes laser QA phantom

### Remote Adjustable

- Coronal, sagittal, transverse planes
- Pitch yaw and roll
- Focus

### Bluetooth-Enabled Remote

- Backlit for visibility in darkly lit rooms
- Easily synchronize and control lasers
- Bluetooth BLE communication (no line of sight needed)
- Locator feature helps in case of misplacement

### Customized to Your Needs

- Three color options – red, green, or blue
- 3-arm or 5-arm configurations are available for wall/ceiling and posts; 3-arm configuration for bridge

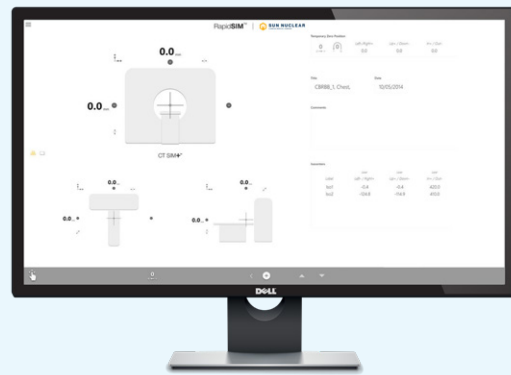
### RapidSIM™ Software

- Seamless laser connectivity to the CT simulation package or Treatment Planning System
- Compatible with all major third-party systems
- Reads coordinates and directs lasers to patient positioning or marking locations
- Flexible levels of automation

### Workflow-Compatible RapidSIM Software

Flexible automation modes available:

- IsoDRIVE™ mode retrieves TPS coordinates and automatically moves the lasers into position. The IsoLOCK™ feature provides visual confirmation (within 0.5 mm) the lasers are in position.
- Autorun mode processes text or DICOM file transfer with single-point selection, driven by the user.
- Manual mode allows the user to manually enter coordinate information, toggle by increments, and jump to select presets.
- Windows authentication or Active Directory options available



### Remote Control

Enables fine motor changes (coronal, sagittal, transverse, pitch, yaw, roll and focus) for easy workflow



### Best-in-class specifications

For blue, green or red wavelengths:

- $\pm 0.5$  mm accuracy at 3 m
- $\leq 0.5$  mm line width at 4 m
- $\geq 4$  m line length at 3 m

### Total system solution

Includes intuitive RapidSIM™ software suite, touchscreen monitor, tablet, and more

### Sturdy, modular design

Choose between bridge, post or wall mounting

### Fits on existing brackets

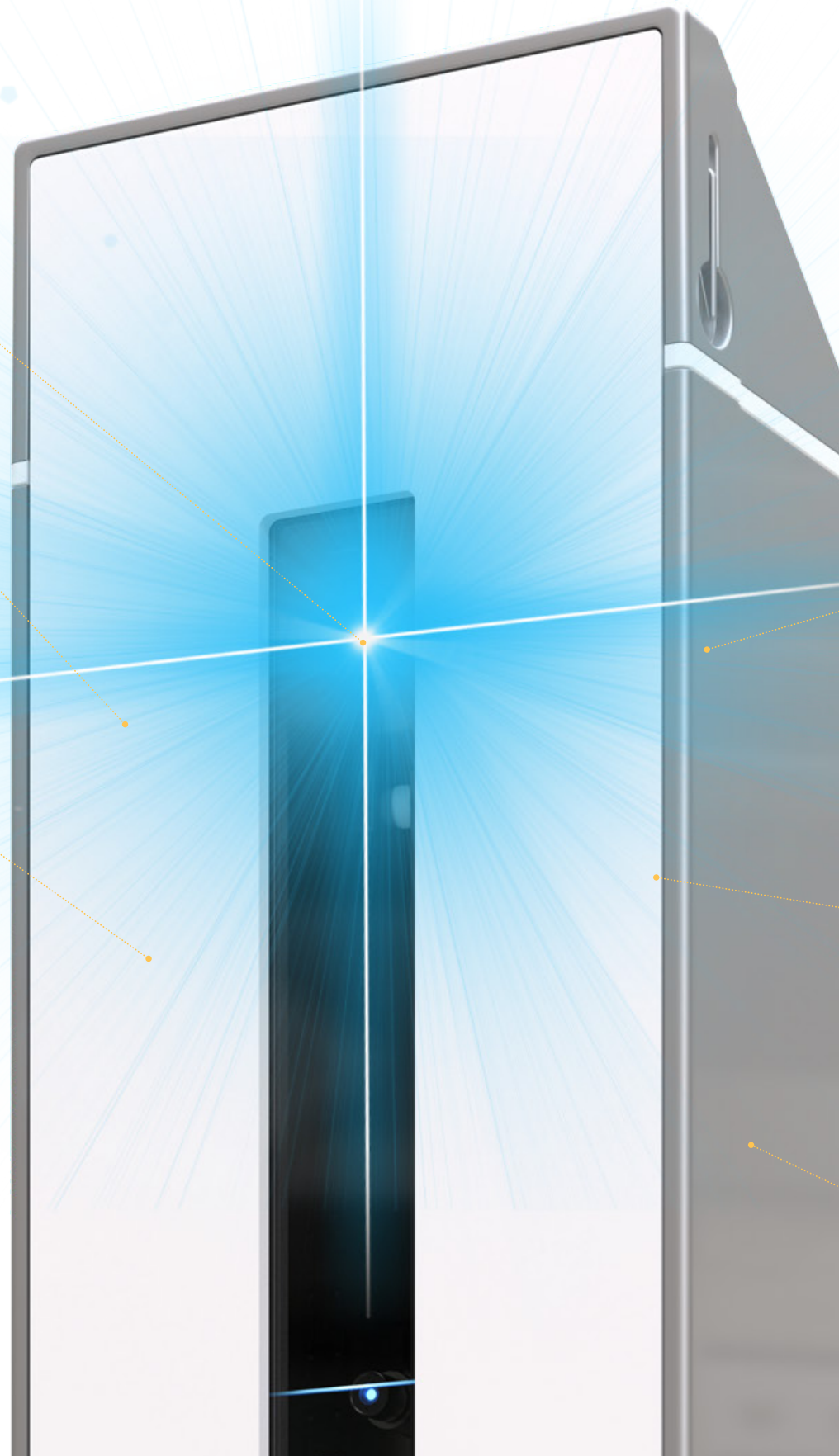
An easy upgrade from current wall-mounted lasers

### Service life of 50,000+ hours

Backed by Sun Nuclear support

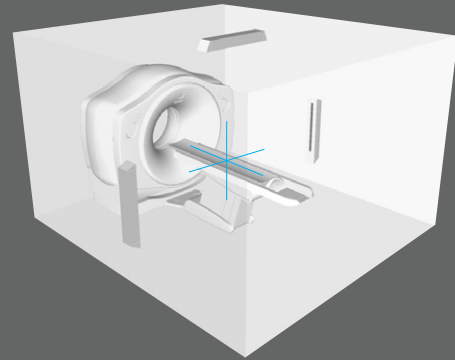
### Compatibility

Supports all major TPS/Simulation vendors

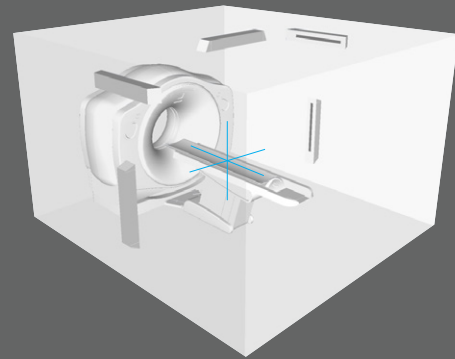


# Configurations

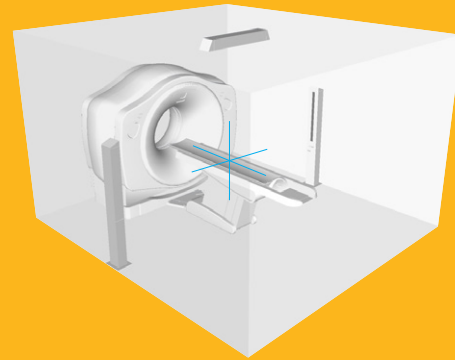
## Wall/Ceiling 3-Arm



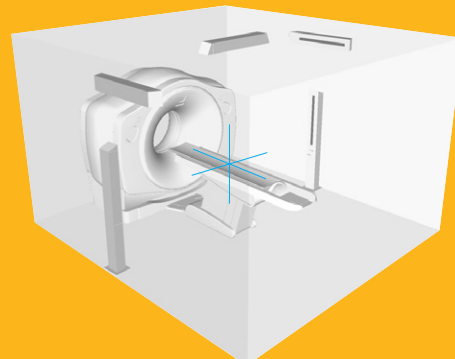
## 5-Arm



## Posts/Ceiling 3-Arm



## 5-Arm



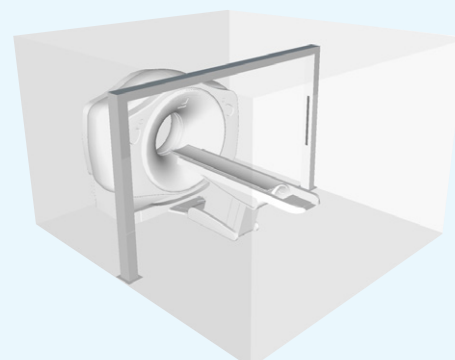
### Benefits

- Maximizes space in scanner room
- Cleaner room design/layout
- Lasers tucked away safely from carts and stretchers

### Benefits

- Constructed of extruded aluminum for strength and durability
- Floor-mounted lateral lasers replace wall installation
- Ceiling laser installed to uni-strut or other solid structure

## Bridge 3-Arm



### Benefits

- Constructed of extruded aluminum for strength and durability
- Install in new or existing rooms without need for expensive renovations
- Multiple cable entry points for easy management

## Laser System

Dimensions	L x W x H wall/ceiling arm (mm): Post arm (mm):	1191 x 201 x 119 1770 x 201 x 119
Weight/Mass	Wall/ceiling arm: Post arm:	45 lbs (21 kg) 77 lbs (35 kg)
Environmental	Operating Temperature (°C): Operating Humidity:	15 - 30 10 - 95% relative humidity, non-condensing
Power Supply	External Power Supply Box: Voltage Output to Laser Arm (VDC):	110/240 VAC, 50/60 Hz auto-select 24

## Performance

Travel Range (mm):	700
Travel Velocity (mm/s):	Up to 200
Accuracy of Positioning (mm):	<0.1
Projected Accuracy (mm):	±0.5 at patient (3.0 m)

## Tablet & Desktop

Application:	RapidSIM 4.x
Operating System:	Windows 10 (or greater)
Communication:	WiFi (multi-band)

## Regulatory

Complies with Center for Devices and Radiological Health regulations 21 CFR 1040 for Class II lasers and all CE requirements.

**Certifications:** Certified to: IEC 60601 (Safety/EMC); IEC 60825-1 (Laser). 510(k) clearance (K152303). ISO 13485 certified medical device manufacturer.

*Specifications subject to change.*

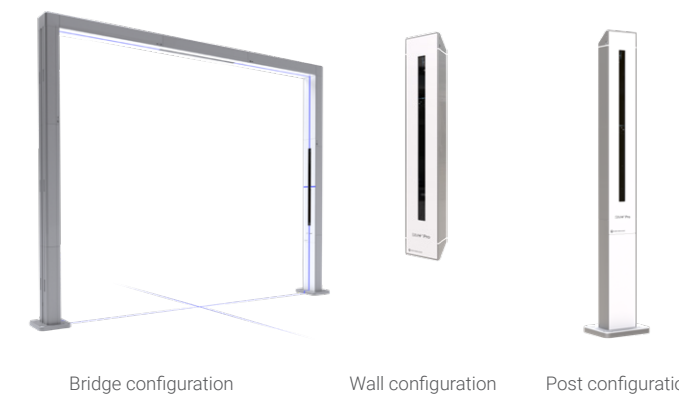
## Laser Lights

Laser Technology:	Diode
Laser Class:	2
Power (mW):	<1.0
Colors / Wavelength (nm):	Red 635 Green 515 Blue 450
Focus Range:	Up to 6 m
Line Width:	≤0.5 mm for all colors @ 4 m
Line Length:	≥4 m @ 3 m

## Remote Control

Power:	3 VDC, 2 AA Alkaline
Communication:	Bluetooth BLE
Adjustment Speeds:	Slow (precision) / Fast (coarse)
Tether:	Wrist lanyard
Backlight:	All buttons
Locator:	"Find remote" option on each laser

## Configuration Detail



**Custom configurations available, depending on room size and layout**



### Sun Nuclear Headquarters (US)

**Phone**

+1 (321) 259-6862

**Address**

3275 Suntree Blvd,  
Melbourne, FL 32940

### Sun Nuclear Wisconsin (US)

**Phone**

+1 (800) 426-6391

**Address**

7600 Discovery Drive,  
Middleton, WI 53562

### Sun Nuclear CIRS, Virginia (US)

**Phone**

+1 (757) 855-2765

**Address**

900 Asbury Ave  
Norfolk, VA 23513

### Sun Nuclear GmbH

**Phone**

+49 6102-50495-00

**Address**

Gutenbergring 67 A 22848  
Norderstedt, Germany

### SunServices™ Center - EMEA

**Phone**

+31 20 399 90 41

**Address**

Verlengde Poolseweg 36  
4818 CL Breda, The Netherlands



# SUN NUCLEAR

A MIRION MEDICAL COMPANY

©2023 Mirion Technologies, Inc. or its affiliates. All rights reserved. Sun Nuclear, the Sun Nuclear logo, and other trade names of Sun Nuclear products listed herein are registered trademarks or trademarks of Mirion Technologies, Inc. or its affiliates in the United States and other countries. Third party trademarks mentioned are the property of their respective owners. All Rights Reserved. All data used is best available at time of publication. Data is subject to change without notice.

SIM+Pro\_102623