



In-Vivo Solutions™

Therapist Friendly - Physicist Approved

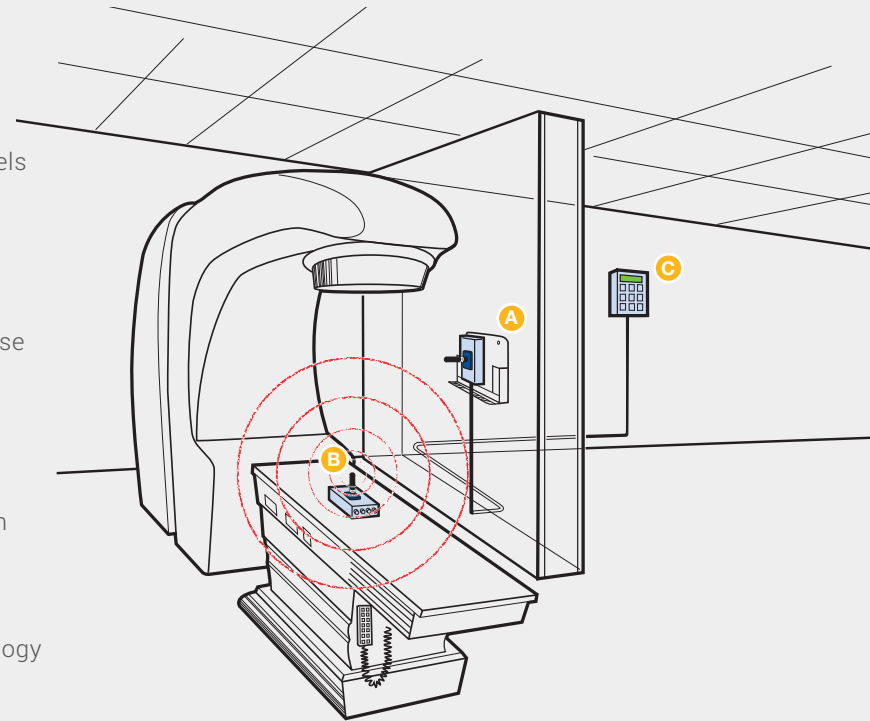


SUN NUCLEAR
A MIRION MEDICAL COMPANY

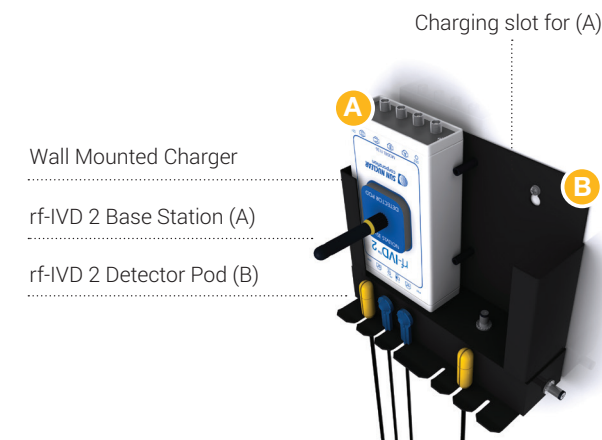
Easy to use real-time patient-dose radiation monitoring with available wireless technology

Features & Benefits

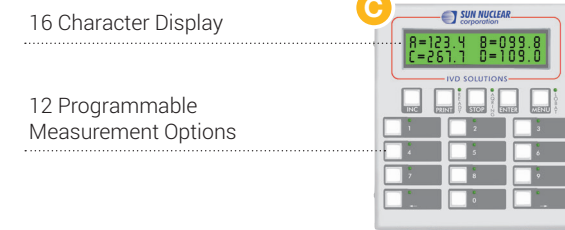
- Choose IVD 2™ (wired) or rf-IVD™ 2 (wireless):
 - Expandable up to 52 channels for TBI
- Includes four (IVD 2) or eight (rf-IVD 2) standard channels
- Programmable Control Module
- Use with industry standard re-usable detector options:
 - QED™ Detector – flat for easy patient placement
 - ISORAD™ Detector – cylindrical for isotropic response
- Simple to install, and easy to use
- Automatic patient temperature compensation
- Use with Control Module or PC Software
- Patient database with robust Patient Health Information (PHI) Protection
- Correction factor tools
- Direct export to Varian Medical Systems® ARIA® oncology information system



rf-IVD 2 Wireless (1136)



IVD 2 Control Module



Varian Medical Systems® is a registered trademark, and Varian™, and ARIA® are trademarks, of Varian Medical Systems, Inc. Sun Nuclear Corporation is not affiliated with or sponsored by Varian Medical Systems, Inc.

In-Vivo Choices



IVD 2

- Real-time wired operation
- Four channel
- Expandable to 52 channels
- Standard Control Module and PC software

rf-IVD 2 adds

- Real-time wireless operation:
 - No cables on treatment room floor

Control Module

- PC not required
- Takes up less space:
 - Wall mountable

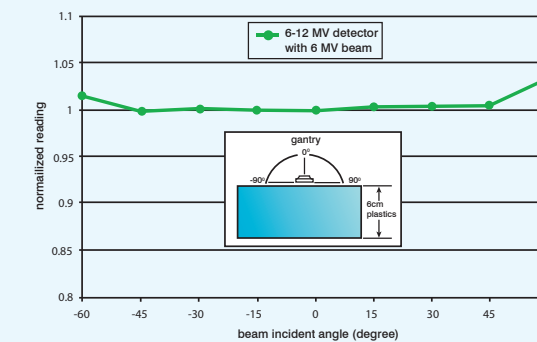
PC Software adds

- Microsoft SQL patient database
- Automatic correction factors
- Record and Verify interface
- Additional measurement options

Software

- Networkable Microsoft SQL patient database for storing results
- Programmable templates
- 'Single Measurement' and 'Patient Measurement' mode:
 - For multiple fraction dose recording
- Expected vs measured dose difference and visual indicator
- Automatically apply selected correction factors
- Password protection
- Patient data encryption, login monitoring, event tracking, and audit controls

Detector Choices

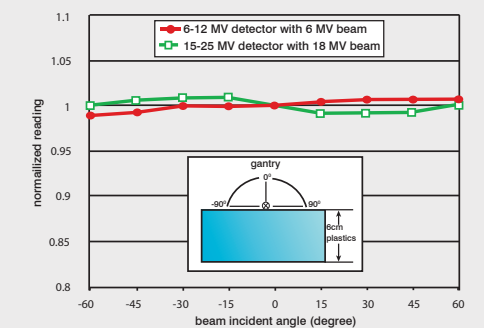


QED™ Detector

Easy Placement Dose Monitoring

Features

- Flat design for easy placement on patient
- Accurate and stable SunPoint® Diode Detector
- Active dimension of 0.8 x 0.8 mm
- 3m/1.5m cable lengths available



ISORAD™ Detector

Angular Independent Dose Monitoring

Features

- Cylindrical design for isotropic response
- Accurate and stable SunPoint Diode Detector
- Active dimension of 1.4 mm in diameter
- 3m/1.5m cable lengths available

Features and Specifications

Detector Module

Channels:	Standard (rf-IVD 2/IVD 2): 8/4 Standard: 4 Maximum: 52	
Temperature compensation:	Automatic-within 0.1°C (Negative polarity only)	
Repeatability:	± 0.2% or ± 0.1cGy	
Polarity:	Bipolar (negative or positive polarity detectors)	
Leakage:	Automatic compensation	
Calibration:	User calibrated	
Warm-up time (sec):	< 30	
Wireless frequency (MHz):	USA: 916.5 EU: 433.92	
Power:	Rechargeable NiMH battery (12 hr)	Power supply
Dimension L/W/H (cm)	7.0 x 12.0 x 3.0	
Weight (kg):	0.34	

Control Module

Display Range:	0 to 99.999Gy; 0 to 9999.9cGy; 0 to 9999.9Rad	
Display:	LCD, 2 Line, 16 characters/line	
Power:	Medical power supply operating on 100-240 VAC, 47-63Hz mains, providing 18 VDC output	
Dimension L/W/H (cm)	14.0 x 16.0 x 3.5	
Weight (kg):	0.78	

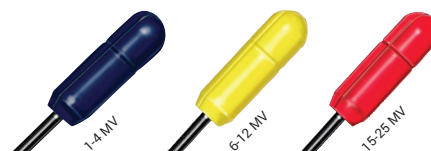
QED



Voltage range:	ELECTRON	SKIN	1-4 MV	6-12 MV	15-25 MV
Buildup material:	Acrylic	None	Aluminum	Brass	Brass
Buildup (g/cm ²):	0.3	0.1	0.9	1.5	2.5
Energy used for directional response:	6 MeV	Co-60	Co-60	6 MV	18 MV
Detector area (mm ²):	0.64				
Active dimension (mm):	0.8 x 0.8				
Detector sensitivity (nC/Gy):	32.0				
Detector stability:	0.5%/kGy at 6MV				
Color:	GREY	BLACK	BLUE	YELLOW	RED
Negative output P/N:	1112000-2	1113000-2	1114000-2	1115000-2	1116000-2
Positive output P/N:	1112000-3	1113000-3	1114000-3	1115000-3	1116000-3

What is included

Control module:	Standard
PC Software:	Standard
Number of pods:	
rf-IVD 2:	two
IVD 2:	one (four channels)
Wall mounted charging bracket:	Standard



ISORAD

Voltage range:	1-4 MV	6-12 MV	15-25 MV
Buildup material:	Brass	Molybdenum	Tungsten
Buildup (g/cm ²):	1.0	1.1	1.8
Energy used for directional response:	Co-60	6 MV	18 MV
Detector area (mm ²):	1.5		
Active dimension (mm):	1.4 diameter		
Detector sensitivity (nC/Gy):	27.0		
Detector stability:	0.5%/kGy at 6MV		
Color:	BLUE	YELLOW	RED
Negative output P/N:	1162000-2	1163000-2	1164000-2
Positive output P/N:	1162000-3	1163000-3	1164000-3



SUN NUCLEAR
A MIRION MEDICAL COMPANY

sunnuclear.com

©2024 Mirion Technologies, Inc. or its affiliates. All rights reserved. Sun Nuclear, the Sun Nuclear logo, and other trade names of Sun Nuclear products listed herein are registered trademarks or trademarks of Mirion Technologies, Inc. or its affiliates in the United States and other countries. Third party trademarks mentioned are the property of their respective owners. All Rights Reserved. All data used is best available at time of publication. Data is subject to change without notice.